

Overall length	Thread length	Thread + Neck length	Shank length	Shank dia.	Size of square	Length of square
L	ℓ	ℓ _n	ℓ _s	D _s	K	ℓ _k

ANSI

SP OX

Spiral Fluted Taps, Oxidized



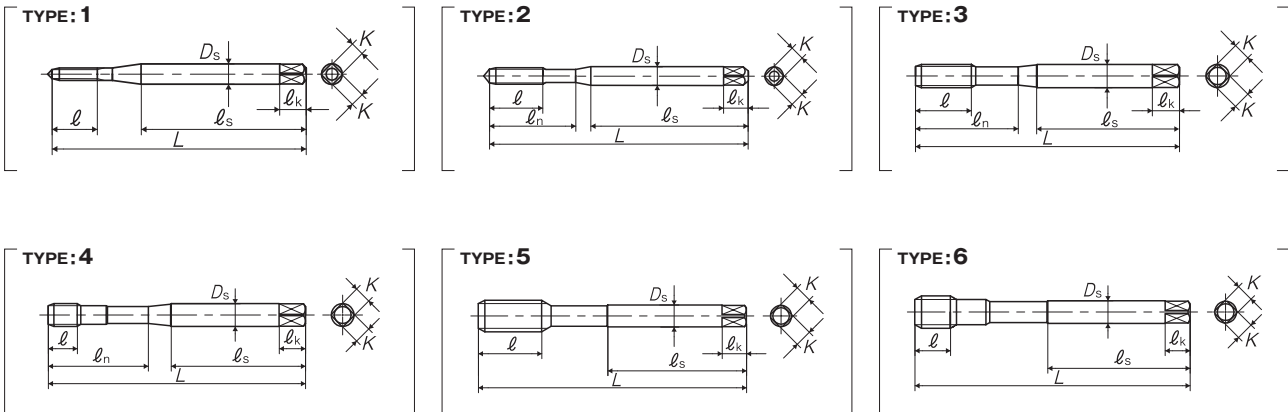
Specification



Tapping Speed depending on Materials

Low carbon steels 低炭素鋼	Medium carbon steels 中炭素鋼	High carbon steels 高炭素鋼
5~10 (m/min)	5~10 (m/min)	5~10 (m/min)

■ The SP OX is a spiral flute tap for blind hole tapping. These taps have an applied oxidation treatment to prevent chip welding on the surface of the taps threaded portion. They are suitable for thread processing of soft steel materials where the chips easily weld to the tap like low carbon.



Segment : 1C

Size	Class	Code	Chamfer	L (inch)	ℓ (inch)	ℓ _n (inch)	ℓ _s (inch)	D _s (inch)	K (inch)	ℓ _k (inch)	No. of flutes	TYPE
For Metric Threads												
M2 × 0.4	D3	SS2.0E3NEX	2.5P	1.772	0.314	-	1.161	0.141	0.11	0.187	2	1
M2.2 × 0.45	D3	SS2.2F3NEX	2.5P	1.772	0.314	-	1.161	0.141	0.11	0.187	2	1
M2.5 × 0.45	D3	SS2.5F3NEX	2.5P	2.205	0.354	0.693	1.28	0.141	0.11	0.187	2	2
M2.6 × 0.45	D3	SS2.6F3NEX	2.5P	2.205	0.354	0.709	1.28	0.141	0.11	0.187	2	2
M3 × 0.5	D3	SS3.0G3NEX	2.5P	2.205	0.433	0.736	1.339	0.141	0.11	0.187	3	2
M3.5 × 0.6	D4	SS3.5H4NEX	2.5P	2.205	0.433	0.748	1.339	0.141	0.11	0.187	3	2
M4 × 0.7	D4	SS4.0I4NEX	2.5P	2.48	0.512	0.815	1.535	0.168	0.131	0.25	3	2
M5 × 0.8	D4	SS5.0K4NEX	2.5P	2.756	0.551	0.984	1.654	0.194	0.152	0.25	3	2
M6 × 1	D5	SS6.0M5NEX	2.5P	3.15	0.591	1.181	1.713	0.255	0.191	0.312	3	2
M7 × 1	D5	SS7.0M5NEX	2.5P	3.543	0.748	1.339	1.831	0.318	0.238	0.375	3	3
M7 × 0.75	D4	SS7.0J4NEX	2.5P	3.543	0.748	1.339	1.831	0.318	0.238	0.375	3	3
M7 × 0.5	D4	SS7.0G4NEX	2.5P	3.543	0.394	1.339	1.831	0.318	0.238	0.375	3	4
M8 × 1.25	D5	SS8.0N5NEX	2.5P	3.543	0.748	1.378	1.831	0.318	0.238	0.375	3	3
M8 × 1	D5	SS8.0M5NEX	2.5P	3.543	0.748	1.378	1.831	0.318	0.238	0.375	3	3
M8 × 0.75	D4	SS8.0J4NEX	2.5P	3.543	0.748	1.378	1.831	0.318	0.238	0.375	3	4
M8 × 0.5	D4	SS8.0G4NEX	2.5P	3.543	0.394	1.378	1.831	0.318	0.238	0.375	3	4
M9 × 1.25	D5	SS9.0N5NEX	2.5P	3.937	0.906	1.535	2.028	0.381	0.286	0.437	3	3
M9 × 1	D5	SS9.0M5NEX	2.5P	3.937	0.906	1.535	2.028	0.381	0.286	0.437	3	3
M10 × 1.5	D6	SS010O6NEX	2.5P	3.937	0.906	1.535	2.126	0.381	0.286	0.437	3	3
M10 × 1.25	D5	SS010N5NEX	2.5P	3.937	0.906	1.535	2.126	0.381	0.286	0.437	3	3

- 1 Spiral Fluted Taps (for blind hole)
- 2 Spiral Fluted Taps (for through hole)
- 3 Spiral Pointed Taps (for through hole)
- 4 Hand Taps
- 5 Cemented Carbide Taps
- 6 Roll Taps
- 7 Special Thread Taps (Simple inspection tools)
- 8 Pipe Taps
- 9 Thread Mills (Premium Thread Mills)
- 10 Dies
- 11 Center Drills (Centering Tools)
- 12 Precision Machinery/Metal Surgical Instruments

1 Spiral Fluted Tap Series for blind hole

Overall length	Thread length	Thread + Neck length	Shank length	Shank dia.	Size of square	Length of square
L	ℓ	ℓn	ℓs	Ds	K	ℓk

- ① Spiral Fluted Taps (for blind hole)
- ② Spiral Fluted Taps (for through hole)
- ③ Spiral Pointed Taps (for through hole)
- ④ Hand Taps
- ⑤ Cemented Carbide Taps
- ⑥ Roll Taps
- ⑦ Special Thread Taps (Simple inspection tools)
- ⑧ Pipe Taps
- ⑨ Thread Mills (Premium Thread Mills)
- ⑩ Dies
- ⑪ Center Drills (Centering Tools)
- ⑫ Precision Machinery/ Medical Surgical Instruments

SP OX Spiral Fluted Taps, Oxidized

Size	Class	Code	Chamfer	L (inch)	ℓ (inch)	ℓn (inch)	ℓs (inch)	Ds (inch)	K (inch)	ℓk (inch)	No. of flutes	TYPE
M10 × 1	D5	SS010M5NEX	2.5P	3.937	0.906	1.535	2.126	0.381	0.286	0.437	3	3
M10 × 0.75	D4	SS010J4NEX	2.5P	3.937	0.512	1.535	2.126	0.381	0.286	0.437	3	4
M11 × 1.5	D6	SS011O6NEX	2.5P	3.937	0.906	-	2.008	0.323	0.242	0.406	3	5
M12 × 1.75	D6	SS012P6NEX	2.5P	4.331	1.024	-	2.205	0.367	0.275	0.437	3	5
M12 × 1.5	D6	SS012O6NEX	2.5P	4.331	1.024	-	2.205	0.367	0.275	0.437	3	5
M12 × 1.25	D6	SS012N6NEX	2.5P	4.331	1.024	-	2.205	0.367	0.275	0.437	3	5
M12 × 1	D5	SS012M5NEX	2.5P	4.331	1.024	-	2.205	0.367	0.275	0.437	3	5
M14 × 2	D7	SS014Q7NEX	2.5P	4.331	1.024	-	2.205	0.429	0.322	0.5	3	5
M14 × 1.5	D6	SS014O6NEX	2.5P	4.331	1.024	-	2.205	0.429	0.322	0.5	3	5
M14 × 1.25	D6	SS014N6NEX	2.5P	4.331	1.024	-	2.205	0.429	0.322	0.5	3	5
M14 × 1	D5	SS014M5NEX	2.5P	4.331	1.024	-	2.205	0.429	0.322	0.5	3	5
M16 × 2	D7	SS016Q7NEX	2.5P	4.331	1.024	-	2.205	0.48	0.36	0.562	3	5
M16 × 1.5	D6	SS016O6NEX	2.5P	4.331	1.024	-	2.205	0.48	0.36	0.562	3	5
M16 × 1	D5	SS016M5NEX	2.5P	4.331	1.024	-	2.205	0.48	0.36	0.562	3	5
M18 × 2.5	D7	SS018R7NEX	2.5P	4.921	1.299	-	2.52	0.542	0.406	0.625	4	5
M18 × 2	D7	SS018Q7NEX	2.5P	4.921	1.299	-	2.52	0.542	0.406	0.625	4	5
M18 × 1.5	D6	SS018O6NEX	2.5P	4.921	0.945	-	2.52	0.542	0.406	0.625	4	6
M18 × 1	D5	SS018M5NEX	2.5P	4.921	0.945	-	2.52	0.542	0.406	0.625	4	6
M20 × 2.5	D7	SS020R7NEX	2.5P	5.512	1.299	-	2.795	0.652	0.489	0.687	4	5
M20 × 2	D7	SS020Q7NEX	2.5P	5.512	1.299	-	2.795	0.652	0.489	0.687	4	5
M20 × 1.5	D6	SS020O6NEX	2.5P	5.512	0.945	-	2.795	0.652	0.489	0.687	4	6
M20 × 1	D5	SS020M5NEX	2.5P	5.512	0.945	-	2.795	0.652	0.489	0.687	4	6
M22 × 2.5	D7	SS022R7NEX	2.5P	5.512	1.299	-	2.795	0.697	0.523	0.75	4	5
M22 × 2	D7	SS022Q7NEX	2.5P	5.512	1.299	-	2.795	0.697	0.523	0.75	4	5
M22 × 1.5	D6	SS022O6NEX	2.5P	5.512	0.945	-	2.795	0.697	0.523	0.75	4	6
M22 × 1	D5	SS022M5NEX	2.5P	5.512	0.945	-	2.795	0.697	0.523	0.75	4	6
M24 × 3	D8	SS024S8NEX	2.5P	6.299	1.457	-	3.228	0.76	0.57	0.75	4	5
M24 × 2	D7	SS024Q7NEX	2.5P	6.299	1.063	-	3.228	0.76	0.57	0.75	4	6
M24 × 1.5	D6	SS024O6NEX	2.5P	6.299	1.063	-	3.228	0.76	0.57	0.75	4	6
M24 × 1	D5	SS024M5NEX	2.5P	6.299	1.063	-	3.228	0.76	0.57	0.75	4	6
M25 × 1.5	D6	SS025O6NEX	2.5P	6.299	1.063	-	3.228	0.8	0.6	0.812	4	6
M26 × 1.5	D6	SS026O6NEX	2.5P	7.087	1.063	-	3.622	0.896	0.672	0.875	4	6
M27 × 3	D8	SS027S8NEX	2.5P	7.087	1.732	-	3.622	0.896	0.672	0.875	4	5
M27 × 2	D7	SS027Q7NEX	2.5P	7.087	1.063	-	3.622	0.896	0.672	0.875	4	6
M27 × 1.5	D6	SS027O6NEX	2.5P	7.087	1.063	-	3.622	0.896	0.672	0.875	4	6
M27 × 1	D5	SS027M5NEX	2.5P	7.087	1.063	-	3.622	0.896	0.672	0.875	4	6
M28 × 2	D7	SS028Q7NEX	2.5P	7.087	1.063	-	3.622	0.896	0.672	0.875	4	6
M28 × 1.5	D6	SS028O6NEX	2.5P	7.087	1.063	-	3.622	0.896	0.672	0.875	4	6
M28 × 1	D5	SS028M5NEX	2.5P	7.087	1.063	-	3.622	0.896	0.672	0.875	4	6
M30 × 3.5	D9	SS030T9NEX	2.5P	7.087	1.732	-	3.622	1.021	0.766	1	4	5
M30 × 2	D7	SS030Q7NEX	2.5P	7.087	1.063	-	3.622	1.021	0.766	1	4	6
M30 × 1.5	D6	SS030O6NEX	2.5P	7.087	1.063	-	3.622	1.021	0.766	1	4	6
M30 × 1	D5	SS030M5NEX	2.5P	7.087	1.063	-	3.622	1.021	0.766	1	4	6
M32 × 2	D7	SS032Q7NEX	2.5P	7.087	1.063	-	3.622	1.021	0.766	1	4	5
M32 × 1.5	D6	SS032O6NEX	2.5P	7.087	1.063	-	3.622	1.021	0.766	1	4	5
M32 × 1	D5	SS032M5NEX	2.5P	7.087	1.063	-	3.622	1.021	0.766	1	4	5
M33 × 3.5	D9	SS033T9NEX	2.5P	7.087	1.732	-	3.622	1.108	0.831	1.062	4	5
M33 × 2	D7	SS033Q7NEX	2.5P	7.087	1.142	-	3.622	1.108	0.831	1.062	4	6
M33 × 1.5	D6	SS033O6NEX	2.5P	7.087	1.142	-	3.622	1.108	0.831	1.062	4	6
M33 × 1	D5	SS033M5NEX	2.5P	7.087	1.142	-	3.622	1.108	0.831	1.062	4	6

Overall length	Thread length	Thread + Neck length	Shank length	Shank dia.	Size of square	Length of square
L	ℓ	ℓn	ℓs	Ds	K	ℓk

1

ANSI

SP OX Spiral Fluted Taps, Oxidized

Size	Class	Code	Chamfer	L (inch)	ℓ (inch)	ℓn (inch)	ℓs (inch)	Ds (inch)	K (inch)	ℓk (inch)	No. of flutes	TYPE
M36 × 4	D9	SS036U9NEX	2.5P	7.874	2.047	-	4.016	1.233	0.925	1.125	4	5
M36 × 3	D8	SS036S8NEX	2.5P	7.874	2.047	-	4.016	1.233	0.925	1.125	4	5
M36 × 2	D7	SS036Q7NEX	2.5P	7.874	1.142	-	4.016	1.233	0.925	1.125	4	6
M36 × 1.5	D6	SS036O6NEX	2.5P	7.874	1.142	-	4.016	1.233	0.925	1.125	4	6
M36 × 1	D5	SS036M5NEX	2.5P	7.874	1.142	-	4.016	1.233	0.925	1.125	4	6
M39 × 4	D9	SS039U9NEX	2.5P	7.874	2.047	-	4.016	1.305	0.979	1.125	4	5
M39 × 3	D8	SS039S8NEX	2.5P	7.874	2.047	-	4.016	1.305	0.979	1.125	4	5
M39 × 2	D7	SS039Q7NEX	2.5P	7.874	1.142	-	4.016	1.305	0.979	1.125	4	6
M39 × 1.5	D6	SS039O6NEX	2.5P	7.874	1.142	-	4.016	1.305	0.979	1.125	4	6
M39 × 1	D5	SS039M5NEX	2.5P	7.874	1.142	-	4.016	1.305	0.979	1.125	4	6
M42 × 4.5	D10	SS042VONEX	2.5P	7.874	2.047	-	4.016	1.43	1.072	1.25	4	5
M42 × 2	D7	SS042Q7NEX	2.5P	7.874	1.142	-	4.016	1.43	1.072	1.25	4	6
M42 × 1.5	D6	SS042O6NEX	2.5P	7.874	1.142	-	4.016	1.43	1.072	1.25	4	6
M42 × 1	D5	SS042M5NEX	2.5P	7.874	1.142	-	4.016	1.43	1.072	1.25	4	6
M45 × 4.5	D10	SS045VONEX	2.5P	8.661	2.323	-	4.409	1.519	1.139	1.25	4	5
M45 × 3	D8	SS045S8NEX	2.5P	8.661	2.323	-	4.409	1.519	1.139	1.25	4	5
M45 × 2	D7	SS045Q7NEX	2.5P	8.661	1.22	-	4.409	1.519	1.139	1.25	4	6
M45 × 1.5	D6	SS045O6NEX	2.5P	8.661	1.22	-	4.409	1.519	1.139	1.25	4	6
M45 × 1	D5	SS045M5NEX	2.5P	8.661	1.22	-	4.409	1.519	1.139	1.25	4	6
M48 × 5	D11	SS048W-NEX	2.5P	9.843	2.559	-	5.039	1.644	1.233	1.375	4	5
M48 × 3	D9	SS048S9NEX	2.5P	9.843	2.559	-	5.039	1.644	1.233	1.375	4	5
M48 × 2	D7	SS048Q7NEX	2.5P	9.843	1.22	-	5.039	1.644	1.233	1.375	4	6
M48 × 1.5	D7	SS048O7NEX	2.5P	9.843	1.22	-	5.039	1.644	1.233	1.375	4	6
M48 × 1	D6	SS048M6NEX	2.5P	9.843	1.22	-	5.039	1.644	1.233	1.375	4	6
For Unified Threads												
No.2-56UNC	GH1	SSUN2E1NEX	2.5P	1.772	0.314	-	1.161	0.141	0.11	0.187	2	1
No.2-56UNC	GH2	SSUN2E2NEX	2.5P	1.772	0.314	-	1.161	0.141	0.11	0.187	2	1
No.2-64UNF	GH1	SSUN2D1NEX	2.5P	1.772	0.314	-	1.161	0.141	0.11	0.187	2	1
No.2-64UNF	GH2	SSUN2D2NEX	2.5P	1.772	0.314	-	1.161	0.141	0.11	0.187	2	1
No.3-48UNC	GH1	SSUN3F1NEX	2.5P	2.205	0.354	0.681	1.28	0.141	0.11	0.187	2	2
No.3-48UNC	GH2	SSUN3F2NEX	2.5P	2.205	0.354	0.681	1.28	0.141	0.11	0.187	2	2
No.3-56UNF	GH1	SSUN3E1NEX	2.5P	2.205	0.354	0.681	1.28	0.141	0.11	0.187	2	2
No.3-56UNF	GH2	SSUN3E2NEX	2.5P	2.205	0.354	0.681	1.28	0.141	0.11	0.187	2	2
No.4-40UNC	GH1	SSUN4H1NEX	2.5P	2.205	0.354	0.709	1.28	0.141	0.11	0.187	2	2
No.4-40UNC	GH2	SSUN4H2NEX	2.5P	2.205	0.354	0.709	1.28	0.141	0.11	0.187	2	2
No.4-48UNF	GH1	SSUN4F1NEX	2.5P	2.205	0.354	0.709	1.28	0.141	0.11	0.187	2	2
No.4-48UNF	GH2	SSUN4F2NEX	2.5P	2.205	0.354	0.709	1.28	0.141	0.11	0.187	2	2
No.5-40UNC	GH1	SSUN5H1NEX	2.5P	2.205	0.433	0.736	1.339	0.141	0.11	0.187	2	2
No.5-40UNC	GH2	SSUN5H2NEX	2.5P	2.205	0.433	0.736	1.339	0.141	0.11	0.187	2	2
No.5-44UNF	GH1	SSUN5G1NEX	2.5P	2.205	0.433	0.736	1.339	0.141	0.11	0.187	2	2
No.5-44UNF	GH2	SSUN5G2NEX	2.5P	2.205	0.433	0.736	1.339	0.141	0.11	0.187	2	2
No.6-32UNC	GH1	SSUN6J1NEX	2.5P	2.205	0.433	0.748	1.339	0.141	0.11	0.187	3	2
No.6-32UNC	GH2	SSUN6J2NEX	2.5P	2.205	0.433	0.748	1.339	0.141	0.11	0.187	3	2
No.6-32UNC	GH3	SSUN6J3NEX	2.5P	2.205	0.433	0.748	1.339	0.141	0.11	0.187	3	2
No.6-32UNC	GH4	SSUN6J4NEX	2.5P	2.205	0.433	0.748	1.339	0.141	0.11	0.187	3	2
No.6-40UNF	GH1	SSUN6H1NEX	2.5P	2.205	0.433	0.748	1.339	0.141	0.11	0.187	3	2
No.6-40UNF	GH2	SSUN6H2NEX	2.5P	2.205	0.433	0.748	1.339	0.141	0.11	0.187	3	2
No.8-32UNC	GH2	SSUN8J2NEX	2.5P	2.48	0.512	0.827	1.535	0.168	0.131	0.25	3	2
No.8-32UNC	GH3	SSUN8J3NEX	2.5P	2.48	0.512	0.827	1.535	0.168	0.131	0.25	3	2
No.8-36UNF	GH2	SSUN8I2NEX	2.5P	2.48	0.512	0.827	1.535	0.168	0.131	0.25	3	2

Spiral Fluted Taps
(for blind hole) ①

Spiral Fluted Taps
(for through hole) ②

Spiral Pointed Taps
(for through hole) ③

Hand Taps ④

Cemented Carbide Taps ⑤

Roll Taps ⑥

Special Thread Taps
Simple inspection tools ⑦

Pipe Taps ⑧

Thread Mills
Premium Thread Mills ⑨

Dies ⑩

Center Drills
Centering Tools ⑪

Precision Machinery/
Metal Surgical Instruments ⑫

ANSI

①-72

· This product is different from JIS products in shape and dimensions, please be careful when using.

1 Spiral Fluted Tap Series for blind hole

Overall length	Thread length	Thread + Neck length	Shank length	Shank dia.	Size of square	Length of square
L	ℓ	ℓn	ℓs	Ds	K	ℓk

- ① Spiral Fluted Taps (for blind hole)
- ② Spiral Fluted Taps (for through hole)
- ③ Spiral Pointed Taps (for through hole)
- ④ Hand Taps
- ⑤ Cemented Carbide Taps
- ⑥ Roll Taps
- ⑦ Special Thread Taps (Simple inspection tools)
- ⑧ Pipe Taps
- ⑨ Thread Mills (Premium Thread Mills)
- ⑩ Dies
- ⑪ Center Drills (Centering Tools)
- ⑫ Precision Machinery/ Medical Surgical Instruments

SP OX Spiral Fluted Taps, Oxidized

Size	Class	Code	Chamfer	L (inch)	ℓ (inch)	ℓn (inch)	ℓs (inch)	Ds (inch)	K (inch)	ℓk (inch)	No. of flutes	TYPE
No.8-36UNF	GH3	SSUN8I3NEX	2.5P	2.48	0.512	0.827	1.535	0.168	0.131	0.25	3	2
No.10-24UNC	GH2	SSUNAM2NEX	2.5P	2.756	0.551	0.945	1.654	0.194	0.152	0.25	3	2
No.10-24UNC	GH3	SSUNAM3NEX	2.5P	2.756	0.551	0.945	1.654	0.194	0.152	0.25	3	2
No.10-32UNF	GH2	SSUNAJ2NEX	2.5P	2.756	0.551	0.945	1.654	0.194	0.152	0.25	3	2
No.10-32UNF	GH3	SSUNAJ3NEX	2.5P	2.756	0.551	0.945	1.654	0.194	0.152	0.25	3	2
No.12-24UNC	GH2	SSUNCM2NEX	2.5P	3.15	0.591	0.984	1.953	0.22	0.165	0.281	3	2
No.12-24UNC	GH3	SSUNCM3NEX	2.5P	3.15	0.591	0.984	1.953	0.22	0.165	0.281	3	2
No.12-28UNF	GH2	SSUNCK2NEX	2.5P	3.15	0.591	0.984	1.953	0.22	0.165	0.281	3	2
No.12-28UNF	GH3	SSUNCK3NEX	2.5P	3.15	0.591	0.984	1.953	0.22	0.165	0.281	3	2
1/4-20UNC	GH2	SSU04N2NEX	2.5P	3.15	0.591	1.181	1.713	0.255	0.191	0.312	3	2
1/4-20UNC	GH3	SSU04N3NEX	2.5P	3.15	0.591	1.181	1.713	0.255	0.191	0.312	3	2
1/4-20UNC	GH5	SSU04N5NEX	2.5P	3.15	0.591	1.181	1.713	0.255	0.191	0.312	3	2
1/4-20UNC	GH11	SSU04N-EEX	2.5P	3.15	0.591	1.181	1.713	0.255	0.191	0.312	3	2
1/4-28UNF	GH2	SSU04K2NEX	2.5P	3.15	0.591	1.181	1.713	0.255	0.191	0.312	3	2
1/4-28UNF	GH3	SSU04K3NEX	2.5P	3.15	0.591	1.181	1.713	0.255	0.191	0.312	3	2
1/4-28UNF	GH4	SSU04K4NEX	2.5P	3.15	0.591	1.181	1.713	0.255	0.191	0.312	3	2
1/4-28UNF	GH11	SSU04K-EEX	2.5P	3.15	0.591	1.181	1.713	0.255	0.191	0.312	3	2
5/16-18UNC	GH2	SSU05O2NEX	2.5P	3.543	0.748	1.378	1.831	0.318	0.238	0.375	3	3
5/16-18UNC	GH3	SSU05O3NEX	2.5P	3.543	0.748	1.378	1.831	0.318	0.238	0.375	3	3
5/16-18UNC	GH5	SSU05O5NEX	2.5P	3.543	0.748	1.378	1.831	0.318	0.238	0.375	3	3
5/16-18UNC	GH11	SSU05O-EEX	2.5P	3.543	0.748	1.378	1.831	0.318	0.238	0.375	3	3
5/16-24UNF	GH2	SSU05M2NEX	2.5P	3.543	0.748	1.378	1.831	0.318	0.238	0.375	3	3
5/16-24UNF	GH3	SSU05M3NEX	2.5P	3.543	0.748	1.378	1.831	0.318	0.238	0.375	3	3
5/16-24UNF	GH4	SSU05M4NEX	2.5P	3.543	0.748	1.378	1.831	0.318	0.238	0.375	3	3
5/16-24UNF	GH5	SSU05M5NEX	2.5P	3.543	0.748	1.378	1.831	0.318	0.238	0.375	3	3
5/16-24UNF	GH11	SSU05M-EEX	2.5P	3.543	0.748	1.378	1.831	0.318	0.238	0.375	3	3
3/8-16UNC	GH3	SSU06P3NEX	2.5P	3.937	0.906	1.535	2.028	0.381	0.286	0.437	3	3
3/8-16UNC	GH4	SSU06P4NEX	2.5P	3.937	0.906	1.535	2.028	0.381	0.286	0.437	3	3
3/8-16UNC	GH5	SSU06P5NEX	2.5P	3.937	0.906	1.535	2.028	0.381	0.286	0.437	3	3
3/8-16UNC	GH11	SSU06P-EEX	2.5P	3.937	0.906	1.535	2.028	0.381	0.286	0.437	3	3
3/8-24UNF	GH2	SSU06M2NEX	2.5P	3.937	0.906	1.535	2.028	0.381	0.286	0.437	3	3
3/8-24UNF	GH3	SSU06M3NEX	2.5P	3.937	0.906	1.535	2.028	0.381	0.286	0.437	3	3
3/8-24UNF	GH4	SSU06M4NEX	2.5P	3.937	0.906	1.535	2.028	0.381	0.286	0.437	3	3
3/8-24UNF	GH11	SSU06M-EEX	2.5P	3.937	0.906	1.535	2.028	0.381	0.286	0.437	3	3
7/16-14UNC	GH3	SSU07Q3NEX	2.5P	3.937	0.906	-	2.008	0.323	0.242	0.406	3	5
7/16-14UNC	GH4	SSU07Q4NEX	2.5P	3.937	0.906	-	2.008	0.323	0.242	0.406	3	5
7/16-14UNC	GH5	SSU07Q5NEX	2.5P	3.937	0.906	-	2.008	0.323	0.242	0.406	3	5
7/16-20UNF	GH2	SSU07N2NEX	2.5P	3.937	0.906	-	2.008	0.323	0.242	0.406	3	5
7/16-20UNF	GH3	SSU07N3NEX	2.5P	3.937	0.906	-	2.008	0.323	0.242	0.406	3	5
7/16-20UNF	GH5	SSU07N5NEX	2.5P	3.937	0.906	-	2.008	0.323	0.242	0.406	3	5
1/2-13UNC	GH3	SSU08R3NEX	2.5P	4.331	1.024	-	2.205	0.367	0.275	0.437	3	5
1/2-13UNC	GH4	SSU08R4NEX	2.5P	4.331	1.024	-	2.205	0.367	0.275	0.437	3	5
1/2-13UNC	GH5	SSU08R5NEX	2.5P	4.331	1.024	-	2.205	0.367	0.275	0.437	3	5
1/2-13UNC	GH11	SSU08R-EEX	2.5P	4.331	1.024	-	2.205	0.367	0.275	0.437	3	5
1/2-20UNF	GH2	SSU08N2NEX	2.5P	4.331	1.024	-	2.205	0.367	0.275	0.437	3	5
1/2-20UNF	GH3	SSU08N3NEX	2.5P	4.331	1.024	-	2.205	0.367	0.275	0.437	3	5
1/2-20UNF	GH5	SSU08N5NEX	2.5P	4.331	1.024	-	2.205	0.367	0.275	0.437	3	5
1/2-20UNF	GH11	SSU08N-EEX	2.5P	4.331	1.024	-	2.205	0.367	0.275	0.437	3	5
9/16-12UNC	GH3	SSU09S3NEX	2.5P	4.331	1.024	-	2.205	0.429	0.322	0.5	3	5
9/16-12UNC	GH4	SSU09S4NEX	2.5P	4.331	1.024	-	2.205	0.429	0.322	0.5	3	5

Overall length	Thread length	Thread + Neck length	Shank length	Shank dia.	Size of square	Length of square
L	ℓ	ℓn	ℓs	Ds	K	ℓk

SP OX Spiral Fluted Taps, Oxidized

Size	Class	Code	Chamfer	L (inch)	ℓ (inch)	ℓn (inch)	ℓs (inch)	Ds (inch)	K (inch)	ℓk (inch)	No. of flutes	TYPE
9/16-12UNC	GH5	SSU09S5NEX	2.5P	4.331	1.024	-	2.205	0.429	0.322	0.5	3	5
9/16-18UNF	GH3	SSU09O3NEX	2.5P	4.331	1.024	-	2.205	0.429	0.322	0.5	3	5
9/16-18UNF	GH4	SSU09O4NEX	2.5P	4.331	1.024	-	2.205	0.429	0.322	0.5	3	5
9/16-18UNF	GH5	SSU09O5NEX	2.5P	4.331	1.024	-	2.205	0.429	0.322	0.5	3	5
5/8-11UNC	GH3	SSU10U3NEX	2.5P	4.331	1.024	-	2.205	0.48	0.36	0.562	3	5
5/8-11UNC	GH4	SSU10U4NEX	2.5P	4.331	1.024	-	2.205	0.48	0.36	0.562	3	5
5/8-11UNC	GH5	SSU10U5NEX	2.5P	4.331	1.024	-	2.205	0.48	0.36	0.562	3	5
5/8-11UNC	GH11	SSU10U-EEX	2.5P	4.331	1.024	-	2.205	0.48	0.36	0.562	3	5
5/8-18UNF	GH3	SSU10O3NEX	2.5P	4.331	1.024	-	2.205	0.48	0.36	0.562	3	5
5/8-18UNF	GH4	SSU10O4NEX	2.5P	4.331	1.024	-	2.205	0.48	0.36	0.562	3	5
5/8-18UNF	GH5	SSU10O5NEX	2.5P	4.331	1.024	-	2.205	0.48	0.36	0.562	3	5
5/8-18UNF	GH11	SSU10O-EEX	2.5P	4.331	1.024	-	2.205	0.48	0.36	0.562	3	5
3/4-10UNC	GH3	SSU12V3NEX	2.5P	4.921	1.299	-	2.52	0.59	0.442	0.687	4	5
3/4-10UNC	GH5	SSU12V5NEX	2.5P	4.921	1.299	-	2.52	0.59	0.442	0.687	4	5
3/4-10UNC	GH11	SSU12V-EEX	2.5P	4.921	1.299	-	2.52	0.59	0.442	0.687	4	5
3/4-16UNF	GH3	SSU12P3NEX	2.5P	4.921	1.299	-	2.52	0.59	0.442	0.687	4	5
3/4-16UNF	GH4	SSU12P4NEX	2.5P	4.921	1.299	-	2.52	0.59	0.442	0.687	4	5
3/4-16UNF	GH5	SSU12P5NEX	2.5P	4.921	1.299	-	2.52	0.59	0.442	0.687	4	5
3/4-16UNF	GH11	SSU12P-EEX	2.5P	4.921	1.299	-	2.52	0.59	0.442	0.687	4	5
7/8-9UNC	GH4	SSU14W4NEX	2.5P	5.512	1.299	-	2.795	0.697	0.523	0.75	4	5
7/8-9UNC	GH5	SSU14W5NEX	2.5P	5.512	1.299	-	2.795	0.697	0.523	0.75	4	5
7/8-9UNC	GH6	SSU14W6NEX	2.5P	5.512	1.299	-	2.795	0.697	0.523	0.75	4	5
7/8-14UNF	GH3	SSU14Q3NEX	2.5P	5.512	1.299	-	2.795	0.697	0.523	0.75	4	5
7/8-14UNF	GH4	SSU14Q4NEX	2.5P	5.512	1.299	-	2.795	0.697	0.523	0.75	4	5
7/8-14UNF	GH6	SSU14Q6NEX	2.5P	5.512	1.299	-	2.795	0.697	0.523	0.75	4	5
1 -8UNC	GH4	SSU16X4NEX	2.5P	6.299	1.457	-	3.228	0.8	0.6	0.812	4	5
1 -8UNC	GH5	SSU16X5NEX	2.5P	6.299	1.457	-	3.228	0.8	0.6	0.812	4	5
1 -8UNC	GH6	SSU16X6NEX	2.5P	6.299	1.457	-	3.228	0.8	0.6	0.812	4	5
1 -12UNF	GH3	SSU16S3NEX	2.5P	6.299	1.457	-	3.228	0.8	0.6	0.812	4	5
1 -12UNF	GH4	SSU16S4NEX	2.5P	6.299	1.457	-	3.228	0.8	0.6	0.812	4	5
1 -12UNF	GH5	SSU16S5NEX	2.5P	6.299	1.457	-	3.228	0.8	0.6	0.812	4	5
1 -12UNF	GH6	SSU16S6NEX	2.5P	6.299	1.457	-	3.228	0.8	0.6	0.812	4	5
1 1/8-7UNC	GH4	SSU18Y4NEX	2.5P	7.087	1.732	-	3.622	0.896	0.672	0.875	4	5
1 1/8-7UNC	GH6	SSU18Y6NEX	2.5P	7.087	1.732	-	3.622	0.896	0.672	0.875	4	5
1 1/8-12UNF	GH4	SSU18S4NEX	2.5P	7.087	1.732	-	3.622	0.896	0.672	0.875	4	5
1 1/8-12UNF	GH5	SSU18S5NEX	2.5P	7.087	1.732	-	3.622	0.896	0.672	0.875	4	5
1 1/4-7UNC	GH4	SSU20Y4NEX	2.5P	7.087	1.929	-	3.622	1.021	0.766	1	4	5
1 1/4-7UNC	GH6	SSU20Y6NEX	2.5P	7.087	1.929	-	3.622	1.021	0.766	1	4	5
1 1/4-12UNF	GH4	SSU20S4NEX	2.5P	7.087	1.929	-	3.622	1.021	0.766	1	4	5
1 1/4-12UNF	GH5	SSU20S5NEX	2.5P	7.087	1.929	-	3.622	1.021	0.766	1	4	5
1 3/8-6UNC	GH5	SSU22Z5NEX	2.5P	7.874	2.165	-	4.016	1.108	0.831	1.062	4	5
1 3/8-6UNC	GH6	SSU22Z6NEX	2.5P	7.874	2.165	-	4.016	1.108	0.831	1.062	4	5
1 3/8-12UNF	GH4	SSU22S4NEX	2.5P	7.874	2.165	-	4.016	1.108	0.831	1.062	4	5
1 3/8-12UNF	GH5	SSU22S5NEX	2.5P	7.874	2.165	-	4.016	1.108	0.831	1.062	4	5
1 1/2-6UNC	GH5	SSU24Z5NEX	2.5P	7.874	2.323	-	4.016	1.233	0.925	1.125	4	5
1 1/2-6UNC	GH6	SSU24Z6NEX	2.5P	7.874	2.323	-	4.016	1.233	0.925	1.125	4	5
1 1/2-12UNF	GH4	SSU24S4NEX	2.5P	7.874	2.323	-	4.016	1.233	0.925	1.125	4	5
1 1/2-12UNF	GH5	SSU24S5NEX	2.5P	7.874	2.323	-	4.016	1.233	0.925	1.125	4	5

1

ANSI

Spiral Fluted Taps
(for blind hole) ①

Spiral Fluted Taps
(for through hole) ②

Spiral Pointed Taps
(for through hole) ③

Hand Taps ④

Cemented Carbide Taps ⑤

Roll Taps ⑥

Special Thread Taps
Simple Inspection Tools ⑦

Pipe Taps ⑧

Thread Mills
Premium Thread Mills ⑨

Dies ⑩

Center Drills
Centering Tools ⑪

Precision Machinery/
Metal Surgical Instruments ⑫

• This product is different from JIS products in shape and dimensions, please be careful when using.